

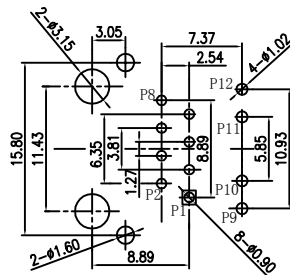
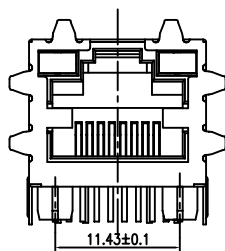
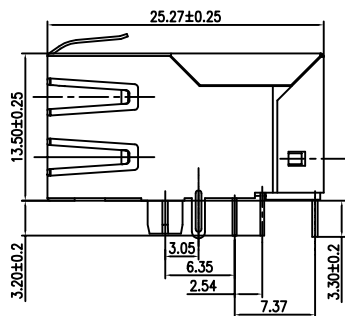
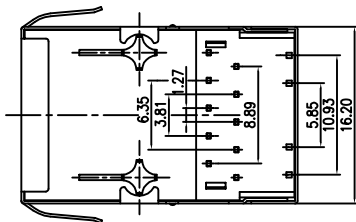
1

2

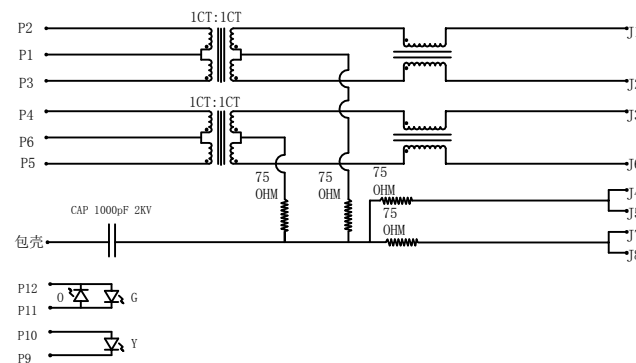
3

4

REV.	ECN NO.	DATE
00	新版发行	2011-04-02



PCB推荐孔布局(产品组装面)
所有尺寸均以中心线为基准



- 1.0 TURN RATIO: (P2~P3): (J1~J2) : 1:1±3%
- (P4~P5): (J3~J6) : 1:1±3%
- 2.0 INDUCTANCE: (P2~P3) AND (P4~P5) : 350uH MIN @0.1V, 100KHZ, 8mA DC BIAS
- 3.0 LEAKAGE INDUCTANCE: P2~P3 (WITH J1 AND J2 SHORT) : 0.35uH MAX @1MHZ
- P4~P5 (WITH J3 AND J6 SHORT) : 0.35uH MAX @1MHZ
- 4.0 INTERWINDING CAPACITANCE: (P2~P3): (J1~J2) : 35pF MAX @ 1MHZ
- (P4~P5): (J3~J6) : 35pF MAX @ 1MHZ
- 5.0 DC RESISTANCE: (J1~J2): (J3~J6) : 1.2 OHMS MAX
- 6.0 RETURN LOSS: 1MHZ TO 30MHZ : -18dB MIN
- 30MHZ TO 60MHZ : -(18-20log(f/30))dB MIN (WHERE f IS IN MHZ)
- 60MHZ TO 80MHZ : -12dB MIN
- 7.0 DIELECTRIC WITHSTAND: (P2~P3): (J1~J2) : 1500VAC OR 2250VDC
- (P4~P5): (J3~J6) : 1500VAC OR 2250VDC
- 8.0 INSERTION LOSS: 100KHZ TO 100MHZ : -1.2dB MAX
- 9.0 CROSS TALK: 1MHZ TO 100MHZ : -35dB TYP
- 10.0 COMMON TO COMMON MODE ATTENUATION: 30MHZ TO 100MHZ : -30dB TYP

机械规格:

1. 连接器材质:
塑壳/插芯:PBT
金针/包壳:铜合金
包壳电镀:镍
金针电镀:镀金(具体镀金U数详见客户要求)
2. 产品规格符合F.C.C尺寸要求
3. 波峰焊接温度为265度/5秒

RoHS Compliant

Coorle 库乐科技



A4
SIZE

SCALE
1:1

UNIT
mm

CUSTOMER:

TOLERANCES

- 0~5 ±0.05
- 5~10 ±0.10
- 10~25 ±0.15
- 25~50 ±0.20
- 50~ ±0.25

ANGLES: ±1°

MATERIAL:

Designed:

NAME:

FINISH:

Checked:

DWG NO: CL5224

REV.

SHEET 1 OF 1

Approved:

PART NO: CP-5B020M-002

00

1

2

3

4